

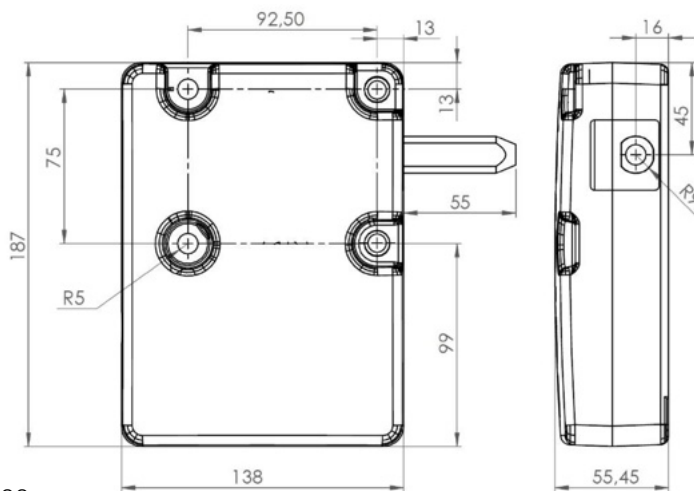


SatLOCK.soft

All-round protection for light commercial vehicles - Protect your commercial vehicle and its load with our SatLOCK.soft.


The SatLOCK.soft automatically locks and secures your vehicle's door when the door is closed, via a keypad or via your telematics system, whichever you prefer. It connects easily to any tracking device that is already integrated into a GSM/GPS vehicle tracking or telematics system.

The robust titanium steel bolt that additionally locks the door prevents access by unauthorized persons. A simple but extremely effective cargo protection. The electronic parts are sealed with a silicone compound that provides exceptional protection against dust, moisture and low temperatures and also allows the use of high-pressure cleaners.



 | 1500 g

 | In operation: -30°C ~ +80°C

 | Operating voltage: 12V - 24V DC
 | Rated current consumption in operation: 1200 mA (13,8 DC)
 | Rated current consumption in idle mode: 50 mA
 | Minimum current for input signal level (VCC / GND): 20 mA
 | Maximum current: 10 A



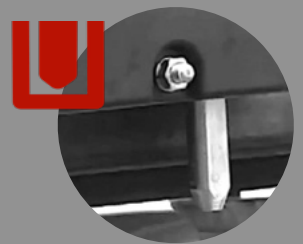
Additional sensors

Extend the security level with door contacts, motion detectors, etc.



Opening via PIN keypad

Secure opening with a PIN on a built-in keypad or by SMS command via your telematics system.



Titanium locking bolt

Maximum security through robust construction.



Break in
Protection



Door open
Alarm



Movement
Alarm



SOS
Alarm